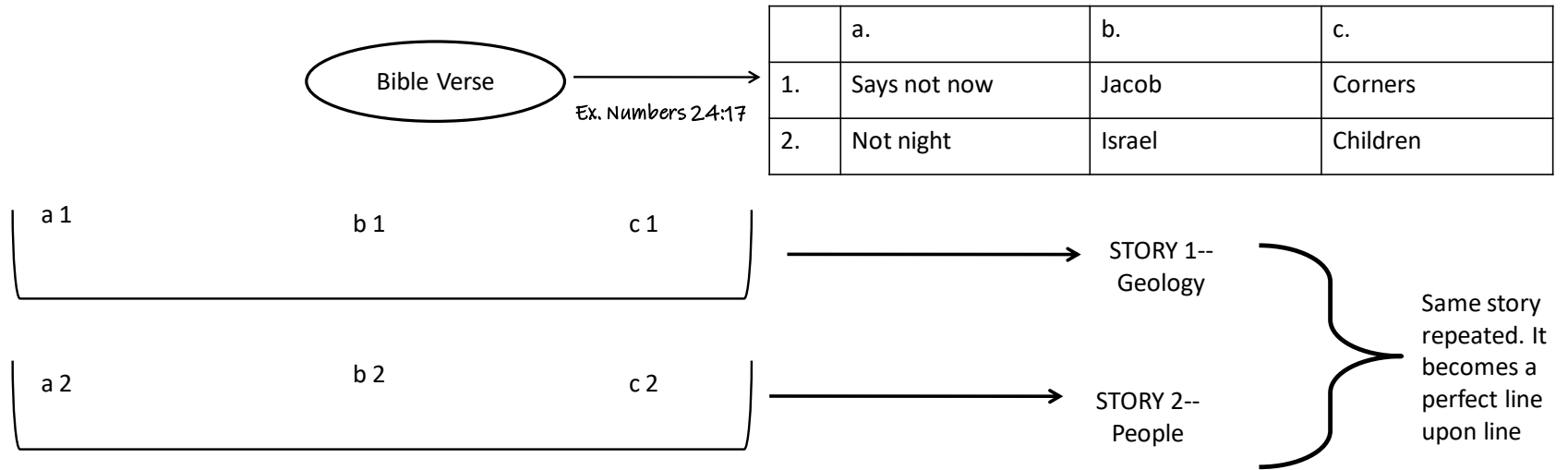


Numbers 24:17

¹⁷ I shall see him, but not now: I shall behold him, but not nigh: there shall come a Star out of Jacob, and a Sceptre shall rise out of Israel, and shall smite the corners of Moab, and destroy all the children of Sheth.

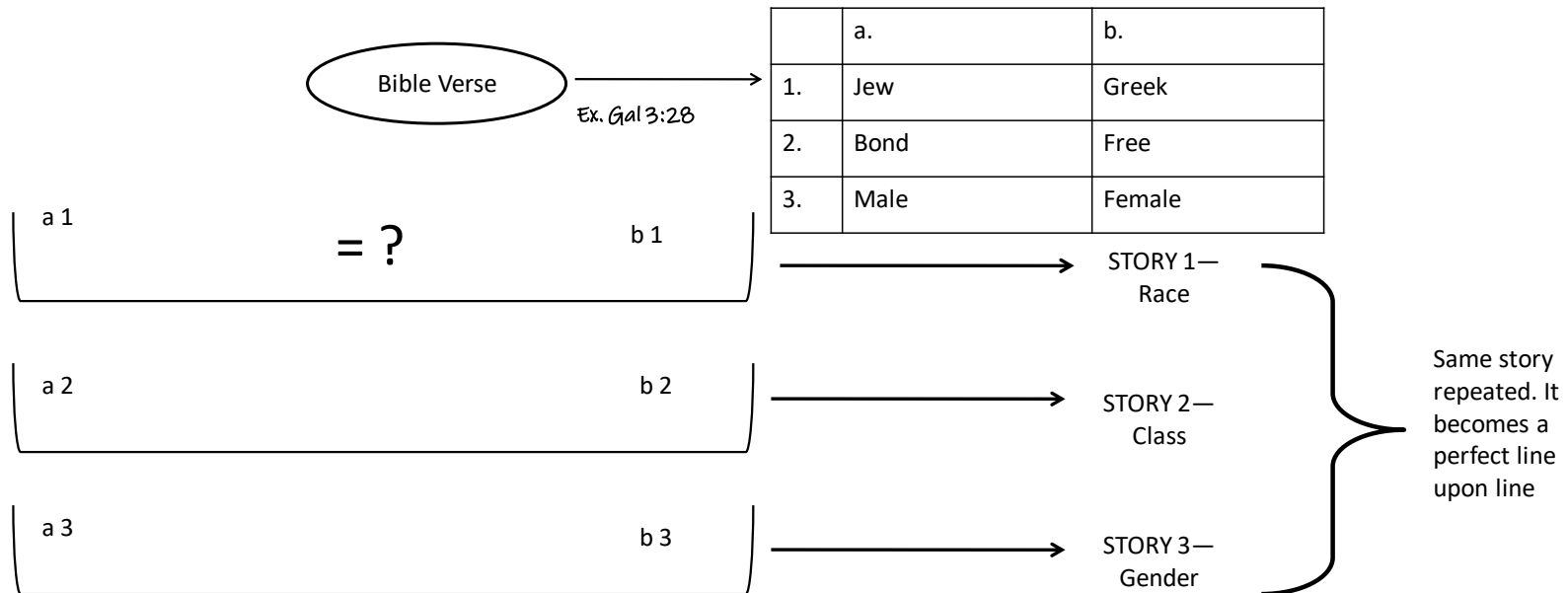
Structure of Line Upon Line



Galatians 3:28

²⁸ There is neither Jew nor Greek, there is neither bond nor free, there is neither male nor female: for ye are all one in Christ Jesus

Structure of Line Upon Line



1 Corinthians 11:3

³ But I would have you know, that the head of every man is Christ; and the head of the woman is the man; and the head of Christ is God.

Ecclesiastes 4:8

⁸ There is one alone, and there is not a second; yea, he hath neither child nor brother: yet is there no end of all his labour; neither is his eye satisfied with riches; neither saith he, For whom do I labour, and bereave my soul of good? This is also vanity, yea, it is a sore travail.

Philippians 4:12

¹² I know both how to be abased, and I know how to abound: every where and in all things I am instructed both to be full and to be hungry, both to abound and to suffer need.

Psalms 1:1

1 Blessed is the man that walketh not in the counsel of the ungodly, nor standeth in the way of sinners, nor sitteth in the seat of the scornful.

1 Corinthians 10:31

³¹ Whether therefore ye eat, or drink, or whatsoever ye do, do all to the glory of God.

Revelation 22:13

¹³ I am Alpha and Omega, the beginning and the end, the first and the last.

Colossians 3:11

¹¹ Where there is neither Greek nor Jew, circumcision nor uncircumcision, Barbarian, Scythian, bond nor free: but Christ is all, and in all.

Psalm 22:1

22 My God, my God, why hast thou forsaken me? why art thou so far from helping me, and from the words of my roaring?

Isaiah 46:10

¹⁰ Declaring the end from the beginning, and from ancient times the things that are not yet done, saying, My counsel shall stand, and I will do all my pleasure:

Psalm 1:1

1 Blessed is the man that walketh not in the counsel of the ungodly, nor standeth in the way of sinners, nor sitteth in the seat of the scornful.

Song of Solomon 2:14

¹⁴ O my dove, that art in the clefts of the rock, in the secret places of the stairs, let me see thy countenance, let me hear thy voice; for sweet is thy voice, and thy countenance is comely.

Song of Solomon 3:2

² I will rise now, and go about the city in the streets, and in the broad ways I will seek him whom my soul loveth: I sought him, but I found him not.

Ecclesiastes 3:15

¹⁵ That which hath been is now; and that which is to be hath already been; and God requireth that which is past.

Isaiah 55: 8-11

For my thoughts are not your thoughts, neither are your ways my ways, saith the Lord.

⁹ For as the heavens are higher than the earth, so are my ways higher than your ways, and my thoughts than your thoughts.

¹⁰ For as the rain cometh down, and the snow from heaven, and returneth not thither, but watereth the earth, and maketh it bring forth and bud, that it may give seed to the sower, and bread to the eater:

¹¹ So shall my word be that goeth forth out of my mouth: it shall not return unto me void, but it shall accomplish that which I please, and it shall prosper in the thing whereto I sent it.